


### 1 Installation and Startup Guide

This document covers the installation of iR-COP, for the detailed specifications and operation, please refer to Datasheet, Brochure and Remote I/O User Manual. Please read all warnings, precautions, and instructions on the device carefully before use.

#### Install Environment:

Electrical Environment	The product has been tested to conform to European CE requirements. This means that the circuitry is designed to resist the effects of electrical noise. This does not guarantee noise immunity in severe cases. Proper wire routing and grounding will insure proper operation.
Environmental Considerations	<ol style="list-style-type: none"> <li>(1) Make sure that the units are installed correctly and that the operating limits are followed.</li> <li>(2) Avoid installing units in environments where severe mechanical vibration or shocks are present.</li> <li>(3) Do not operate the unit in areas subject to explosion hazards due to flammable gases, vapors or dusts, or where acid gas, such as SO<sub>2</sub> exists.</li> <li>(4) For use in Pollution Degree 2 Environment and dry location.</li> <li>(5) Relative Humidity: 10% ~ 90% (non-condensing)</li> </ol>
Operating Altitude (Atmospheric Pressure)	Below 3,000 m (9842.52 ft.), atmospheric pressure is 70.1 kPa.
IP rating	IP 20
Cleaning Considerations	Clean the device using dry cloths. Do not use liquid or spray detergents for cleaning.
 Warning	Protection impairment if used in a manner not specified by the manufacturer. Déficit de protection si utilisé d'une manière non spécifiée par le fabricant.

### 2 Unpacking the Unit

Unpack and check the delivery. If damage is found, please contact the supplier.

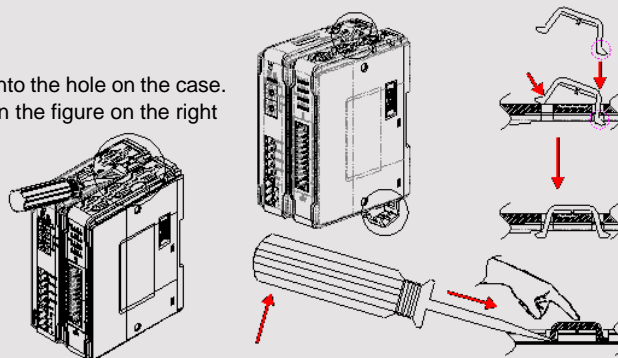
**NOTE: Place the unit on a stable surface during installation. Dropping it or letting it fall may cause damage.**

The package includes: (1) Installation Instruction, 2-sided A4 \*1 (2) iR-COP \*1 (3) Power Connector \*1 (4) Communication Connector \*1 (5) Spare Clips \*2

### 3 Installation Instructions

Clip assembly: Insert one side of the clip into the hole on the case. Press down firmly in the direction shown in the figure on the right until hearing the clip snap into the case.

Clip removal: Insert a flathead screwdriver into the gap on the clip and then lift up the screwdriver. Placing a finger on the clip when lifting the screwdriver can prevent the clip from jumping away. The clip can also be



removed directly by hand.

Rail mounting: DIN rail 35mm.


Panel mounting: Use two M4 or #8 panhead screws, mounting hole size is 4.6mm

Plan for adequate space around the unit and inside the enclosure, for ventilation and cables. Consider the heat from other devices inside the enclosure. The ambient temperature around the unit must be 0 ~ 55°C

**NOTE: Please do not touch any of the connectors when the unit is powered up and running.**

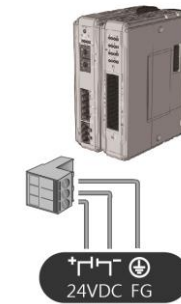


### 4 Power Connections

 Power Connector Specifications:  
Wire AWG: 28~12  
Operating Temperature: -40°C ~+105°C  
Screw Torque: 3.47 lbf-in (max.)

Spécifications du connecteur d'alimentation:  
AWG de fil: 28~12  
Température de fonctionnement : -40 °C ~+105 °C  
Couple de vis: 3.47 lbf-in (max.)

**NOTE: Connect positive DC line to the '+' terminal and the DC ground to the '-' terminal.**




### 5 Rotary Switches



Setting	Description
0	Invalid Node ID
1~99	Valid Node ID

### 6 Communication Connections

 Communication Connector Specifications:  
Wire AWG: 26~12  
Operating Temperature: -40°C ~+115°C  
Wire Strip Length: 11~12 mm

Spécifications du connecteur de communication:  
AWG de fil: 26 ~ 12  
Température de fonctionnement : -40 °C ~+115 °C  
Longueur de fil dénudé : 11~12 mm

**NOTE: Please use twisted-pair and shielded cable.**

PIN#	Name
1	CAN_G
2	CAN_L
3	SHIELD
4	CAN_H
5	N/A

## 7 DIP Switches

SW4	SW3	SW2	SW1	Baud Rate
0	0	0	0	Auto rate
0	0	0	1	1Mbps
0	0	1	0	800Kbps
0	0	1	1	500Kbps
0	1	0	0	250Kbps
0	1	0	1	125Kbps
0	1	1	0	100Kbps
0	1	1	1	50Kbps
SW5-7	Reserved			
SW8	CAN Bus 120Ω Terminator			

## 8 LED Indicators

### L.V LED

L.V LED State	Description
OFF	24V power normal
Blinking	Detect 24V power
ON	24V power error

### IO RUN/ERR LED

RUN LED	ERR LED	Description
OFF	OFF	Power off or no power
Blinking	OFF	IO initiating
Blinking	ON	IO initiation error
ON	OFF	IO working
ON	Blinking	IO module alarm
ON	ON	IO communication fault

### CAN-RUN LED

NO	CAN-RUN LED	State	Description
1	ON	OPERATIONAL	The device is in the OPERATIONAL state.
2	Blinking	PRE_OPERATIONAL	The device is in the PRE_OPERATIONAL state.
3	Single flash	STOPPED	The device is in the STOPPED state.

### CAN-ERR LED

NO	CAN-ERR LED	State	Description
1	ON	CAN Bus off	The CAN Bus controller is off.
2	Triple flash	SYNC error	The SYNC message has not been received within the configured communication cycle period time out (see Object Dictionary Entry 0x1006)
3	Double flash	Error control event	A guard event (NMT-Slave or NMT-master) or a heartbeat event (Heartbeat consumer) has occurred
4	Single flash	Warning limit reached	At least one of the error counters of the CAN Bus controller has reached or exceeded the warning level (too many error frames).
5	Blinking	Invalid configuration	General configuration error.
6	OFF	No error	The Device is in working condition.

## CAUTION

**NOTE:** Make sure that all local and national electrical standards are met when installing the unit. Contact your local authorities to determine which codes apply.



Power

Use power output that meets SELV (Safety Extra-Low Voltage) requirements. The unit can be powered by DC power only, voltage range: 24VDC (-15%/+20%), compatible with most controller DC systems. The power conditioning circuitry inside the unit is accomplished by a switching power supply. The peak starting current can be as high as 2A.



Fusing Requirements

If the Power LED does not light up immediately after power up, remove power. A resettable fuse will protect against overcurrent faults in DC circuit and the resetting will take place after a period of time. Check wiring for proper connections and try to power up again.



High Voltage

A resettable fuse will prevent damage for overcurrent condition however it isn't guaranteed. DC voltage sources should provide proper isolation from main AC power and similar hazards.



Emergency Stop

A Hard-wired EMERGENCY STOP should be fitted in any system using the product.



Supply Voltage Condition

Do not power the unit and inductive DC loads, or input circuitry to the controller, with the same power supply. Note: The 24 VDC output from some controllers may not have enough current to power the unit.



Wire Routing

- Power wire length should be minimized (Max: 500m shielded, 300m unshielded).
- Please use twisted pair cables for power wire and signal wire and conform to the impedance matching.
- If wiring is to be exposed to lightning or surges, use appropriate surge suppression devices.
- Keep AC, high energy, and rapidly switching DC power wiring separated from signal wires.
- Add a resistor and capacitor in the parallel connection between the ungrounded DC power supply and the frame ground. This provides a path for static and high frequency dissipation. Typical values to use are 1M Ohm and 4700pF

## DANGER



Hardware Considerations

The system designer should be aware that devices in Controller systems could fail and thereby create an unsafe condition. Furthermore, electrical interference in an operator interface can lead to equipment start-up, which could result in property damage and/or physical injury to the operator.

If you use any programmable control systems that require an operator, be aware that this potential safety hazard exists and take appropriate precautions. Although the specific design steps depend on your particular application, the following precautions generally apply to installation of solid-state programmable control devices, and conform to the guidelines for installation of Controllers recommended Control Standards.



Programming Considerations

Checks should be placed in the controller to ensure that all writable registers that control critical parts of plant or machinery have limit checks built into the program, with an out-of-limit safe shut down procedure to ensure safety of personnel.

GMEIRCP00\_iR-COP\_Installation\_20240627

## Limited Warranty

This product is limited warranted against defects in design and manufacture. The proven defective product will either be repaired or replaced, at Weintek's discretion. This warranty shall not cover any product which is

- Out of warranty period which is 12 months from the manufacturing month of the HMI products.
- Damage caused by Force Majeure, accident, negligence, improper installation or misuse.
- Product has been repaired or taken apart by unauthorized technicians.
- Products whose identification markings have been removed or damaged.